



Central Vacuum Connection Kit

INSTALLATION INSTRUCTIONS

The Flex Connect directly connects to all 2" PVC central vacuum tubing and spigot connections. Designed to make difficult connections and installations easier and faster, Flex Connect is often used for automatic dustpan and Vroom installations and service. Although installation conditions and possibilities are vast, here are a few examples.



New Construction Rough-in Installation of Automatic Dustpans with Straight Back Connection

1. Before cabinets are installed, connect and glue one of the two quick-release locking fittings to the central vacuum tubing line with PVC cement (right).
2. Once cabinets are installed, cut a hole in the kickboard or room base board according to the automatic dustpan instructions. Attach trim plate if needed.
3. Reaching through the cut hole, connect and lock the expandable hose to the previously installed quick-release fitting. To do so, align the locking mechanisms, push in to connect and twist to securely lock (Figure 1). **DO NOT GLUE** – the O-Ring ensures a tight seal.
4. Although the expandable hose stretches to 24", make sure there is enough give that you can pull the flexible hose and low-voltage central vacuum wires out from the wall (Figure 2).
5. Connect and glue the Flex Connect quick-release fitting to the back of the automatic dustpan with PVC cement, connect the low-voltage wires, then slide the automatic dustpans into the cabinet opening and secure (Figure 2).

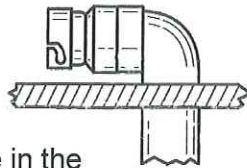


FIGURE 1

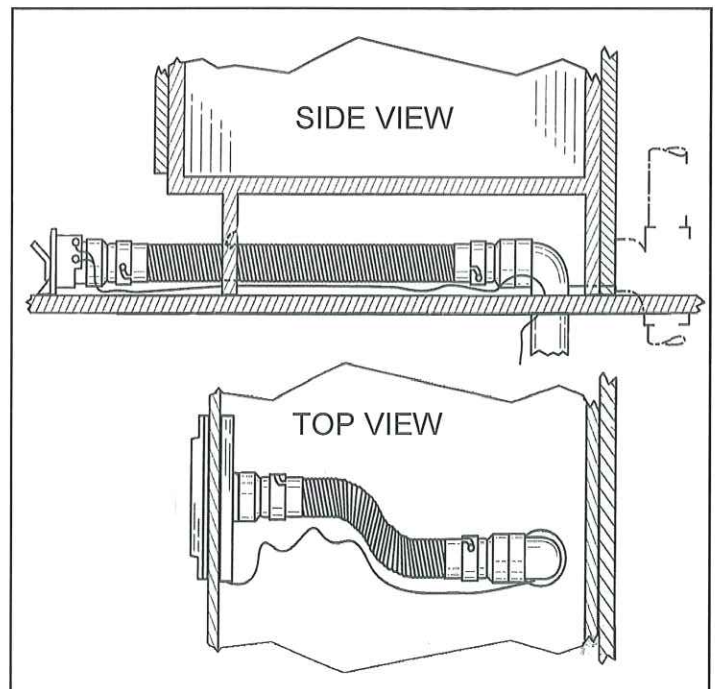


FIGURE 2

IMPORTANT: DISCONNECT THE POWER TO THE CENTRAL VACUUM BEFORE INSTALLING

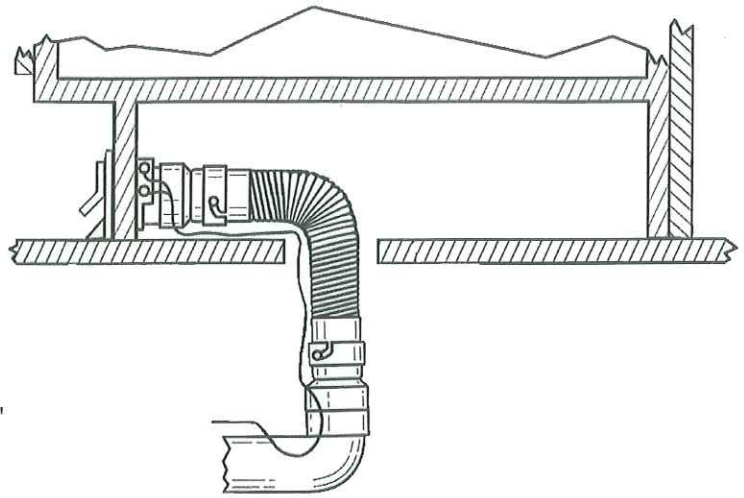
Continued on reverse side

INSTALLATION INSTRUCTIONS *continued*

Existing Home Installation (Not Pre-Piped) with Crawl Space/Basement

For existing home installations that are not pre-piped for an automatic dustpan (with a straight-back connection) that have a crawl space or basement to work in underneath, follow these steps:

1. Go into the crawl space/basement and drill a standard 2-9/16" hole under the cabinet about 4" back from the cabinet face where the automatic dustpan will be installed.
2. Look up into the hole and make sure there are not any obstructions that will get into the way.
3. Cut out the automatic dustpan opening in the cabinet according to its instructions.
4. Glue one end of the Flex Connect quick-release locking fitting onto the back of the automatic dustpan with PVC cement and attach a section of low-voltage wire.
5. Drop the low-voltage wire and the other end of the Flex Connect down the 2-9/16" hole into the crawl space, slide the automatic dustpan into the cabinet opening and secure. (Attach trim plate, if needed, according to automatic dustpan instructions.)
6. Return to the crawl space/basement and connect the low-voltage wire and the Flex Connect quick-release Locking fitting into the central vacuum tubing line.



Vroom Cabinet Installations

Through the wall installations are easier in new construction or when studs are exposed. However, many obstacles exist in sink cabinets (the sink basin, garbage disposals, water lines, drain lines and HVAC), so connecting the vacuum line to Vroom can be challenging. In those cases, the Flex Connect can simplify the installation as shown.

Through the floor installations, typically used for retrofits and islands where there's access underneath the cabinet, means planning and checking the tube route for existing obstructions. To connect the vacuum line to Vroom while navigating existing plumbing, HVAC and electrical lines, the Flex Connect can make the installations easier – similar to that shown in the top illustration.

